



COOKING EQUIPMENT

SERVING THE FOOD INDUSTRY SINCE 1951

COUNTERTOP ELECTRIC PASTA COOKER WITH 4L (x2) CAPACITY

Item: 43558

Model: CE-CN-0004-B



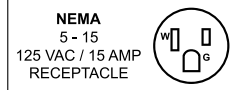
- ⊕ Durable stainless steel construction
- ⊕ 4L (x2) capacity
- ⊕ 4 baskets included
- ⊕ Non-slip rubber feet

Two 120V 15 Amp dedicated circuits are required.



WARRANTY

PARTS AND LABOR



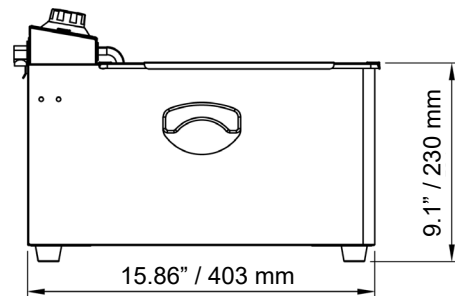
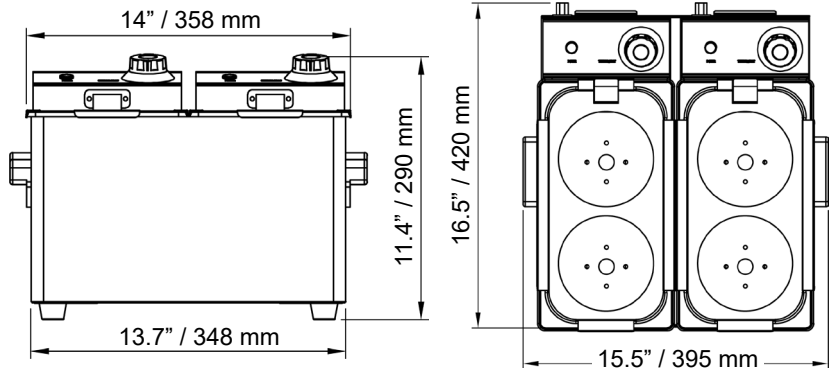
Authorized Dealer

COOKING EQUIPMENT

COUNTERTOP ELECTRIC PASTA COOKER - 4L (x2) CAPACITY



DETAILED IMAGES



TECHNICAL SPECIFICATIONS

ITEM NUMBER	43558
MODEL	CE-CN-0004-B
CAPACITY	4L (x2)
NUMBER OF BASKET	4
BASKET DIMENSIONS	5" / 128 mm (Dia.), 4.5" / 115mm (H) Over-all Height with Handle: 13" / 330.2 mm
MAX. TEMPERATURE	110°C / 230°F
POWER	1.2 + 1.2 kW
ELECTRICAL	120V / 60Hz / 1Ph
NET DIMENSIONS	15.5" x 16.5" x 11.4" / 395 x 420 x 290 mm
GROSS DIMENSIONS	22.6" x 24" x 20.3" / 575 x 610 x 515 mm
NET WEIGHT	18.6 lbs. / 8.45 kg.
GROSS WEIGHT	26.45 lbs. / 12 kg.

Two 120V 15 Amp dedicated circuits are required.



WARRANTY
PARTS AND LABOR

NEMA
5 - 15
125 VAC / 15 AMP
RECEPTACLE



OMCAN INC.

Telephone: 1-800-465-0234

Fax: (905) 607-0234

Email: sales@omcan.com

Website: www.omcan.com



Follow us to keep up to date with the latest news and offers



2018.E.O.E